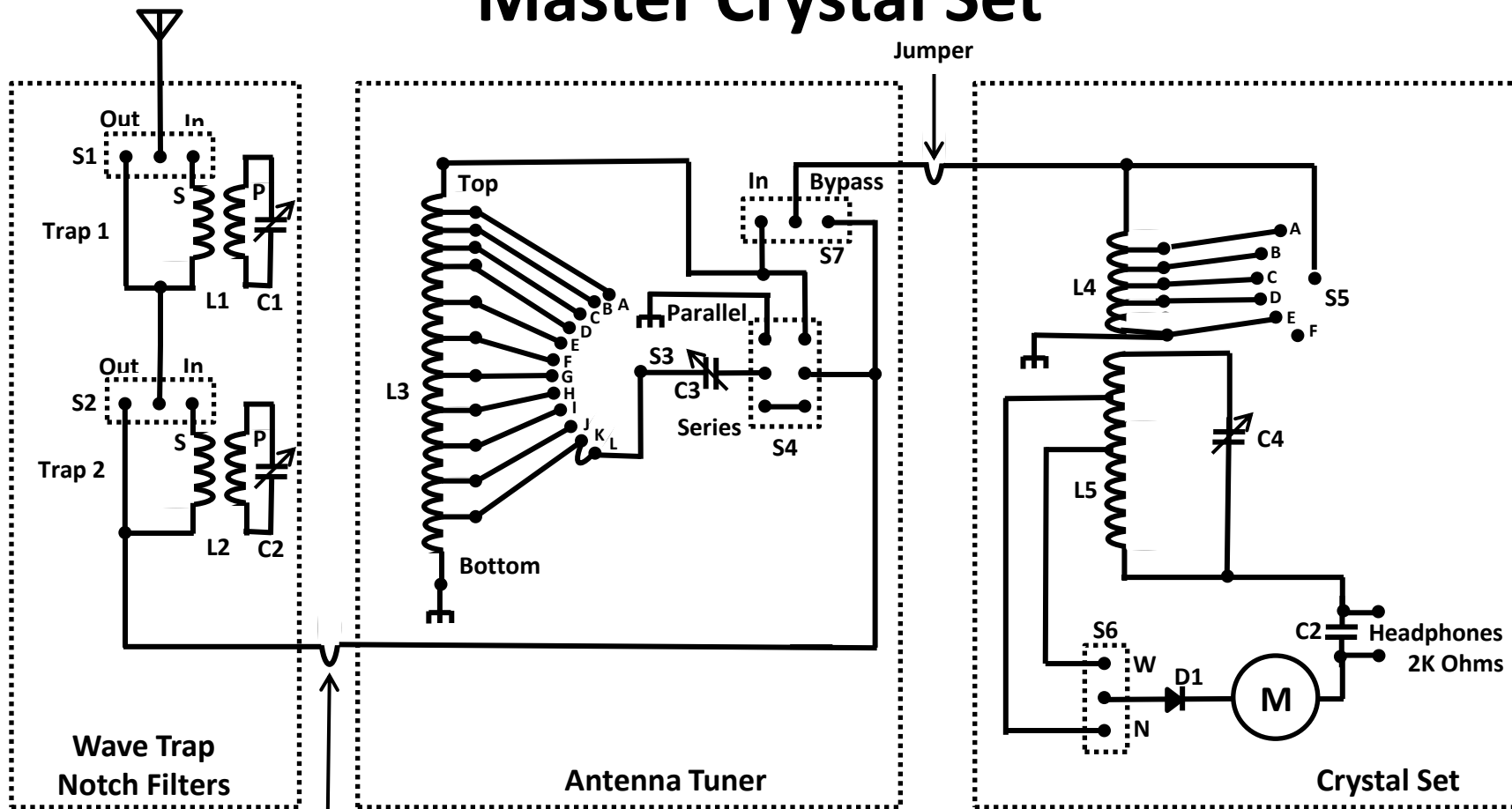


Master Crystal Set



Parts:

C1 – C4, 365 uuf, Variable Capacitor

C2 – .01 ufd, Disc Capacitor

D1 – 1N34 Diode

L1, L2 – Pri. = 50 T # 32 GA, Sec. = 12.5 Turns, #28 GA wire on a Toilet Roll. Sec. and Pri. are separated by thick paper with the Sec. on top of the Pri. windings.

L3 – 104 Turns, #24 GA wire on a 2" D X 4.5" L Cardboard Tube. Tapped at 10, 20, 30, 40, 50, 60, 70, 80, 90, Turns from the Top of the coil. Start Coil winding 1/2" from edge of tube.

L4 – 32 Turns, #28 GA Cloth wire on a 2" Dia. X 4" L Cardboard Tube, tapped at 3, 7, 9, 17 turns from the top.

L5 – 90 Turns, #28 GA Cloth wire on the same roll as L4 tapped at 20 and 45 turns from the top of the coil. There is a 1/8 inch space between bottom of L4 and top of L5.

S1, S2, S6, S7, – SPDT On-On

S3 – 12 Position Rotary switch

S5 – 6 Position Rotary switch

M – 50 micro amp meter

Chassis – 1" X 6" X 11" long wood

Front Panel – 7"H X 11"W X 1/8" Phenolic board

Bill Sepulveda, K5LN